

[215.4]
8.48

[515.7]
20.30

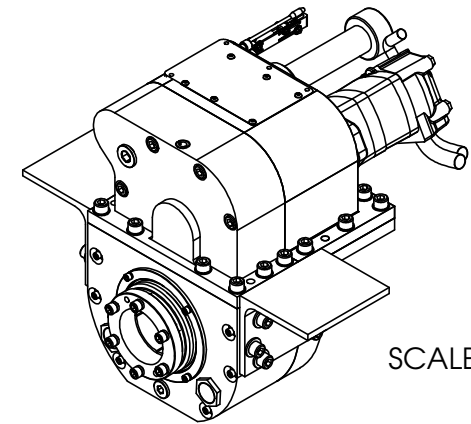
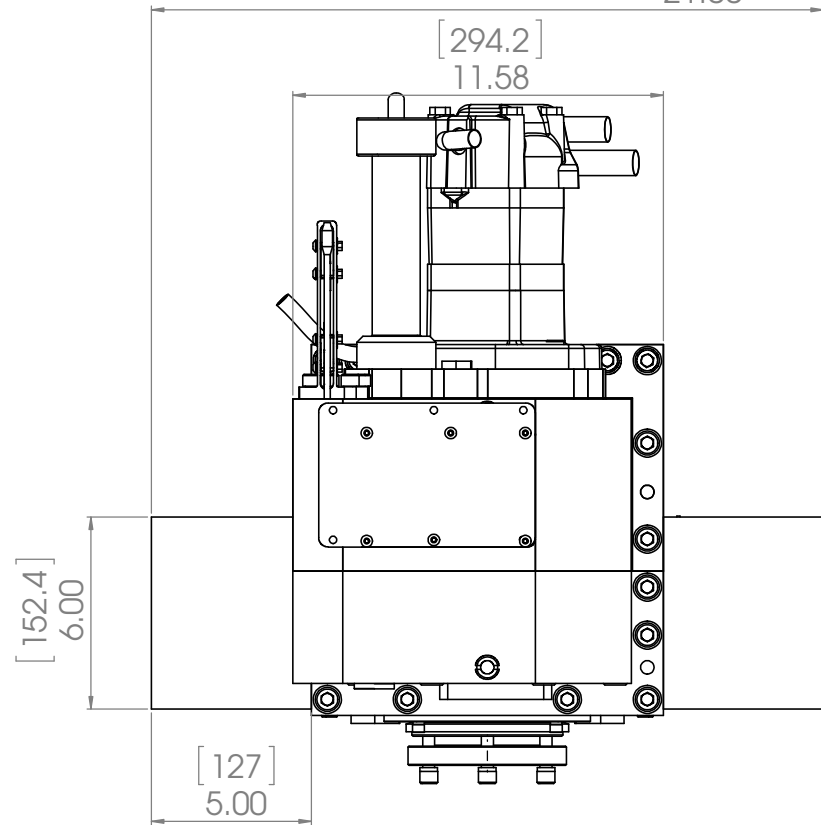
[136.4]
5.369

[272.7]
10.74

[124.6]
4.91

[157.5]
6.20

[294.3]
11.59



SCALE 1:5

UNLESS OTHERWISE SPECIFIED: DIMENSIONS ARE IN INCHES TOLERANCES: FRACTIONAL $\pm 1/64$ ANGULAR: MACH $\pm 1/2$ BEND ± 1 ONE PLACE DECIMAL $\pm .05$ TWO PLACE DECIMAL $\pm .010$ THREE PLACE DECIMAL $\pm .0050$ INTERPRET GEOMETRIC TOLERANCING PER: ASME Y14.5 1994	DRAWN BY CE 6/17/2014	ARCTURUS MARINE SYSTEMS AMERICAN BOW THRUSTER <small>517A Marine Ave Rohnert Park, CA 94928 (707) 586-3155</small>
	CHECKED BY 6/17/2014	
FINISH LATEST ECO	ENGINEER CE 6/17/2014	TITLE: GET HOME DRIVE, 3" SHAFT, 100 CC
DO NOT SCALE DRAWING	THIRD ANGLE PROJECTION 	SIZE DWG. NO. REVISION C 39661 01
		SCALE: 1:5 WEIGHT: SHEET 1 OF 1

PROPRIETARY AND CONFIDENTIAL
THE INFORMATION CONTAINED IN THIS DRAWING IS THE SOLE PROPERTY OF ARCTURUS MARINE SYSTEMS. ANY REPRODUCTION IN PART OR AS A WHOLE WITHOUT THE WRITTEN PERMISSION OF ARCTURUS MARINE SYSTEMS IS PROHIBITED.