

Assembly Parts

A. Fin Nut *	M. Locking Adapter Screw
B. Hull Flange Assembly (Note 2)	N. Yoke Stop Screw
C. Augmented hull thickness (Note 1)	O. Yoke Clamping Screw
D. Platform Gusset (Note 3)	P. Top Plate
E. Platform Flange (Note 3)	R. Top Plate Screw
F. Hull Framing (Note 3)	S. Actuator Cylinder
G. Actuator Flange Bolt (Note 4)	T. Position Sensor Cover
H. Actuator Flange	U. Sensor Cable Cover
J. Locking Adapter Plate	W. Weld-in Hull Flange
K. Yoke Locking Cylinder	X. Bolt-on Hull Flange
L. Locking Cylinder Screw	Y. Hull Flange Screw

Assembly Fasteners

Part	Description	Qty	Size	Install Torque ft-lb / (Nm)	Install with Coating ***
A	Fin Nut *	1	M36-4.0	800 / (1085)	Loctite® 262
G	Actuator Flange Bolt	8	M24-3.0	400 / (542)	H
L	Locking Cylinder Screw	4	M12-1.75	75 / (102)	M
M	Locking Adapter Screw	8	M12-1.75 **	85 / (115)	H
N	Yoke Stop Screw	4	M12-1.75	75 / (102)	H
O	Yoke Clamping Screw	2	M12-1.75	75 / (102)	H
R	Top Plate Screw ****	4	M20-2.5	95 / (129)	M
R	Top Plate Screw	1	M12-1.75	30 / (41)	M
T	Sensor Cover Screw	6	M5-0.8	1.5 / (2.0)	--
U	Cable Cover Screw	6	M3-0.5	0.3 / (0.4)	--
Y	Hull Flange Screw	8	5/8-11	70 / (95)	H

* Requires 2.125" hex socket.

** M16 Shoulder Bolt.

*** M = Medium strength thread lock compound; H = High Strength thread lock compound.

Installation torques shown here require coating on threads and also, as lubricant, under bolt head or nut, whichever is turned.

**** Also find 0.75" x 2" dowel pins at each main top plate leg.

NOTES:

- It is the responsibility of the installer to determine what reinforcement measures should be taken to properly strengthen the hull for withstanding forces that may be encountered if the fin or the fin shaft strikes an immovable object while the vessel is under way. Recommendations made by American Bow Thruster are to be used as starting guidelines only. American Bow Thruster is NOT a naval architecture firm and is NOT qualified to advise on structural matters. American Bow Thruster strongly recommends that you seek the advice of a naval architect familiar with your make of vessel.
- See inset "Detail B" for Hull Flange Assembly details.
- The Platform Flange with its integrated gussets, hull framing and stringers, are provided by the customer according to the naval architect's specifications. Consult the TRAC Stabilizer Installation Manual for recommended and required details applicable to the platform flange.
- Actuator Flange Bolts are provided by the customer according to the thickness of the platform flange. Fasteners should include grade 8 bolts with nuts and flat washers.
- Actuator specifications and dimensions are subject to change without prior notice. Do not use this print for final installation without contacting the factory for certified dimensions.



American Bow Thruster
A division of Arcturus Marine Systems

517-A MARTIN AVENUE
ROHNERT PARK, CA 94928
(707) 586-3155 VOICE
(707) 586-3159 FAX
<http://www.thrusters.com>

DRAWN RJP

CHECKED

ISSUED 5/12/2005

REVISED 6/3/2005

DWG AS370MHv5

TRAC Stabilizer Specification Sheet

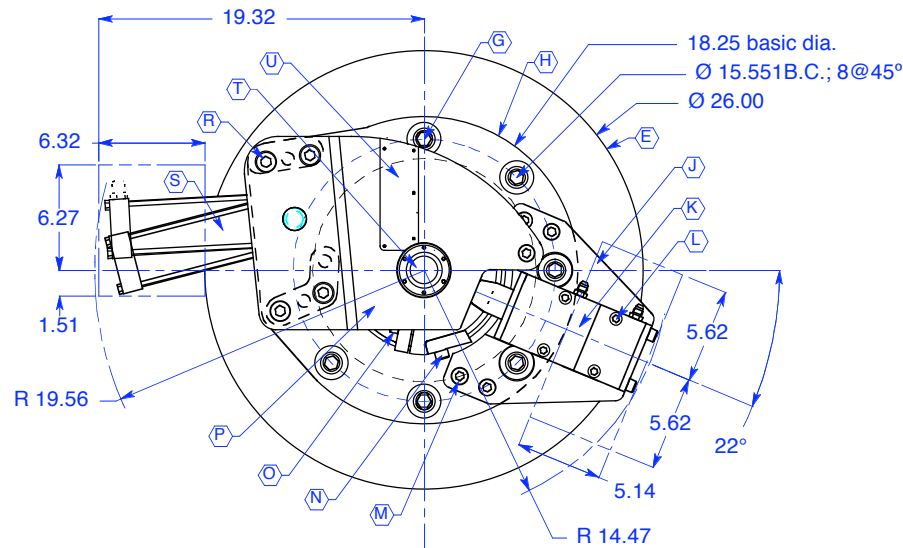
TRAC® 370

Actuator Assembly Parts & Dimensions - Metal Hull Installation

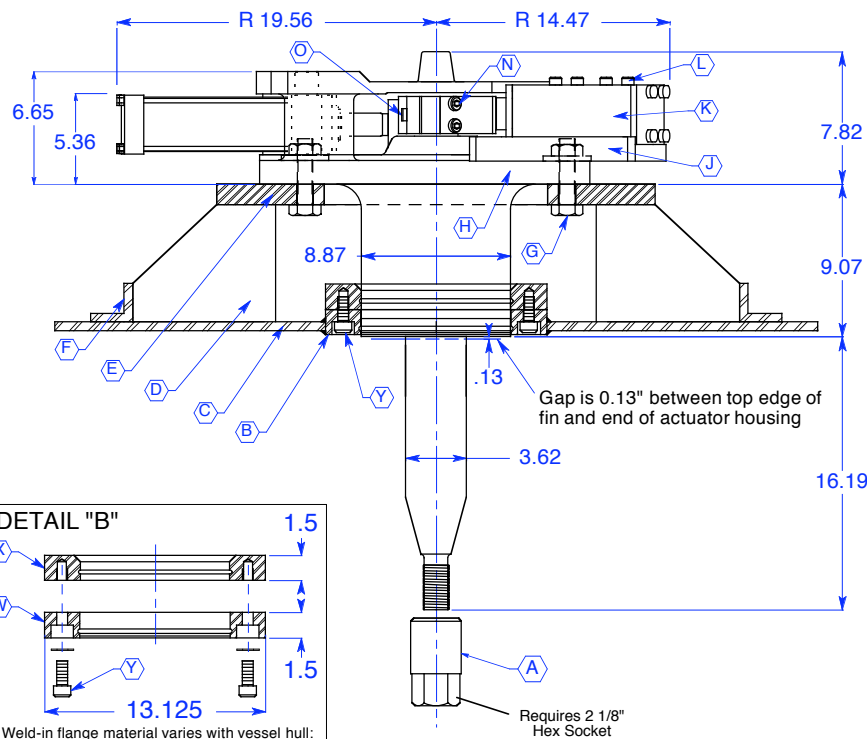
DIMENSIONS: ALL DIMENSIONS ARE INCHES UNLESS OTHERWISE NOTED.

SCALE: NOT TO SCALE

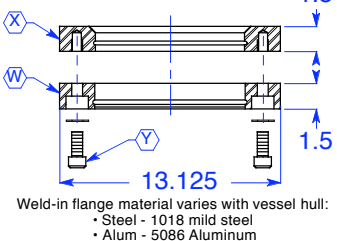
Top View



Side View



DETAIL "B"



Requires 2 1/8" Hex Socket