

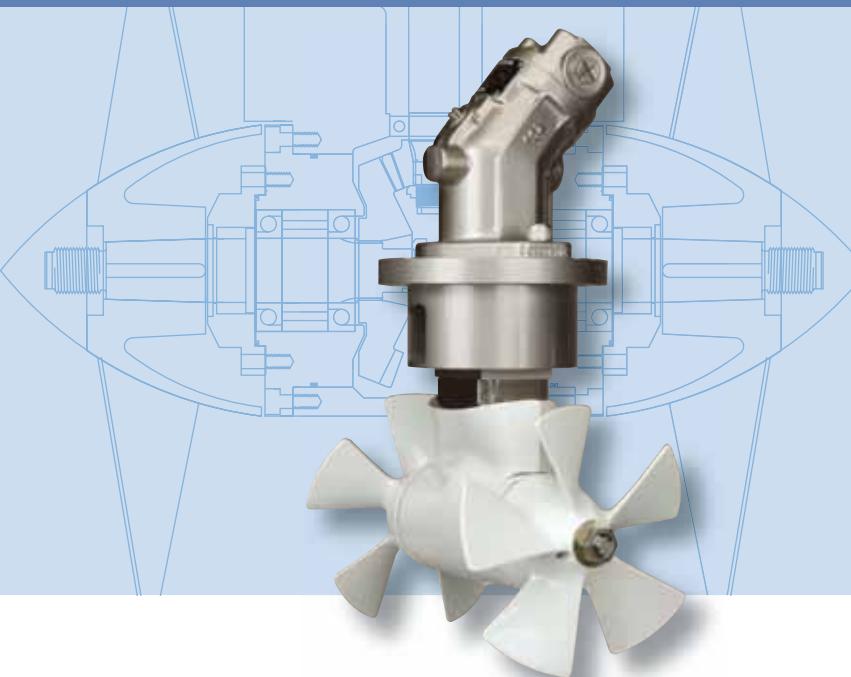


TRAC[®]



8"

HYDRAULIC THRUSTERS



also support stabilizers, windlasses, capstans, cranes, or other hydraulic equipment.

TRAC Thrusters are built for heavy-duty service. Gears and bearings are intentionally oversized. Propeller hubs shroud the gearbox to protect the prop shaft. A rotating seal guard provides absolute protection of the shaft seals.

TRAC systems are extensively documented and delivered ready-to-install. Expert support is always available from factory technicians and through our global service network.

TRAC Thrusters are installed as standard equipment by more of the world's top yacht builders than any other brand. For exceptional performance, highest quality, and unmatched support, choose TRAC.

TRAC Thrusters deliver more thrust per horsepower than any other thruster available. TRAC's twin counter-rotating propellers are more efficient and can reach higher horsepower than single prop thrusters.

TRAC hydraulic thrusters are fitted with high efficiency piston motors. 8" thru 12" thrusters are available in a DC version and all TRAC thrusters are available in AC versions.

Thruster control is available in single or proportional speed. Proportional control enables precise maneuvering control.

Most TRAC thrusters are powered by a TRAC integrated hydraulic system. Integrated hydraulics may



Proportional or single speed control. Low profile, ergonomic design. Spring-to-center or friction lock lever. Power ON indicator and audible alarm indicator. Single or dual configuration (bow and stern thruster).

Arcturus Marine. Taking Care Of You Every Step Of The Way.

ARCTURUSMARINE[™]
AMERICAN BOW THRUSTER[™]

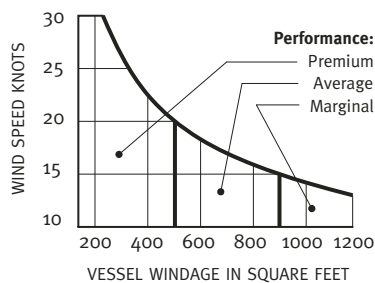
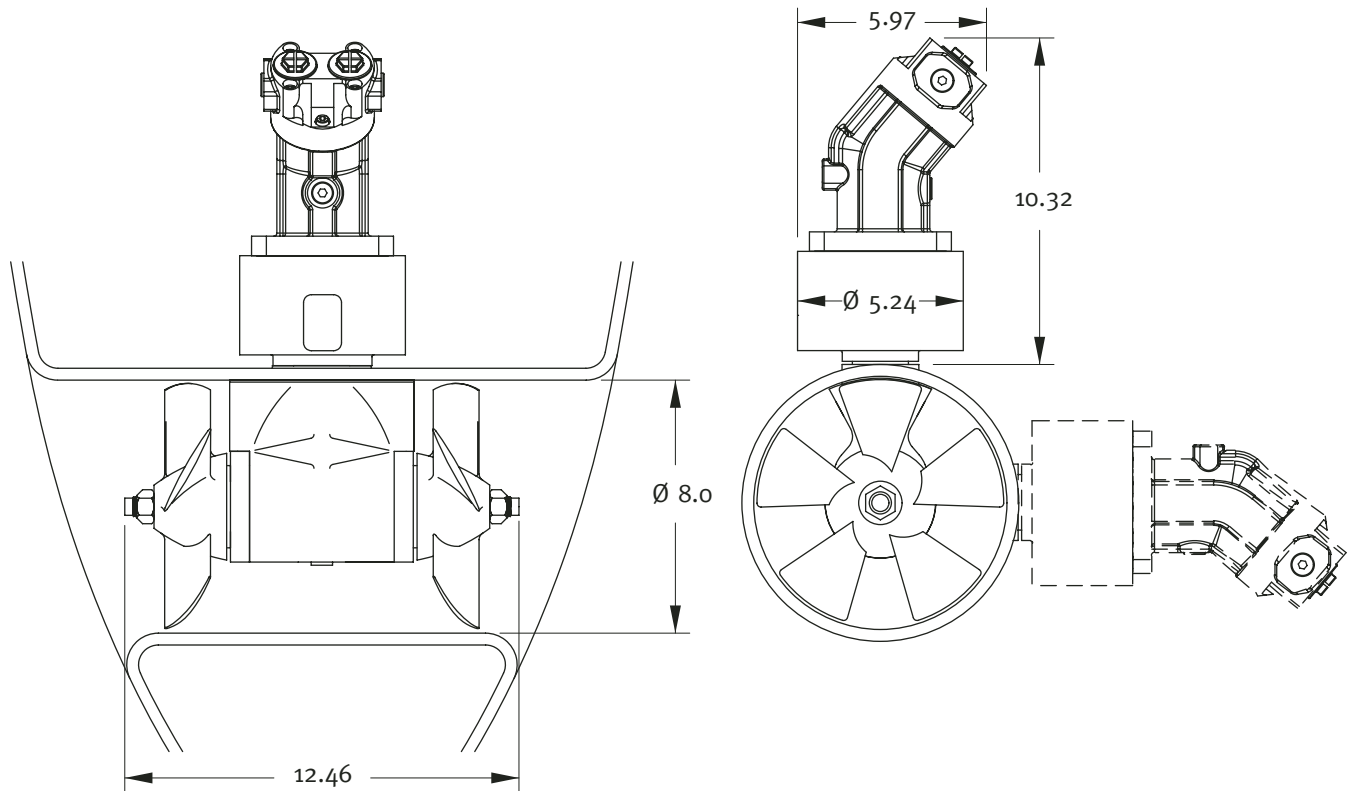
517-A Martin Avenue, Rohnert Park, CA 94928 USA
TEL 707•586•3155 800•535•5377 FAX 707•586•3159
www.thrusters.com

TRAC

8"

HYDRAULIC THRUSTERS

8" up to 16 HP



8 INCH	FIBERGLASS		ALUMINUM		STEEL	
Tunnel Dimensions	inch	(mm)	inch	(mm)	inch	(mm)
INSIDE DIAMETER	8.00	(203.20)	8.00	(203.20)	8.00	(203.20)
OUTSIDE DIAMETER	8.80	(222.30)	8.63	(222.30)	8.63	(219.20)
Tunnel Weight	lbs/ft	(kg/m)	lbs/ft	(kg/m)	lbs/ft	(kg/m)
	8.0	(11.90)	9.70	(14.40)	28.00	(41.70)

Dimensions shown for reference only and are subject to change. Do not use for installation.