

Assembly Parts

- | | |
|---------------------------------------|--|
| A. Fin Nut* | L. Locking Cylinder Screw |
| B. Hull Doubler Plate (Note 2) | M. Yoke Stop Screw |
| C. Hull Flange Bolt (Note 3) | O. Yoke Clamping Screw |
| D. Augmented Hull Thickness (Note 1) | P. Top Plate |
| E. Inboard Hull Flange (Note 4) | R. Top Plate Screw |
| F. Hull Flange Spacer (Note 5) | S. Actuator Cylinder |
| G. Hull Flange Jacking Screw (Note 6) | T. Position Sensor Cover |
| H. Actuator Flange | U. Sensor Cable Cover |
| J. Clevis Pin | V. Rear Mount Hoop Bolts |
| K. Yoke Locking Cylinder | W. Nylon Washer (Yoke and Rear Mount Cylinder) |

Assembly Fasteners

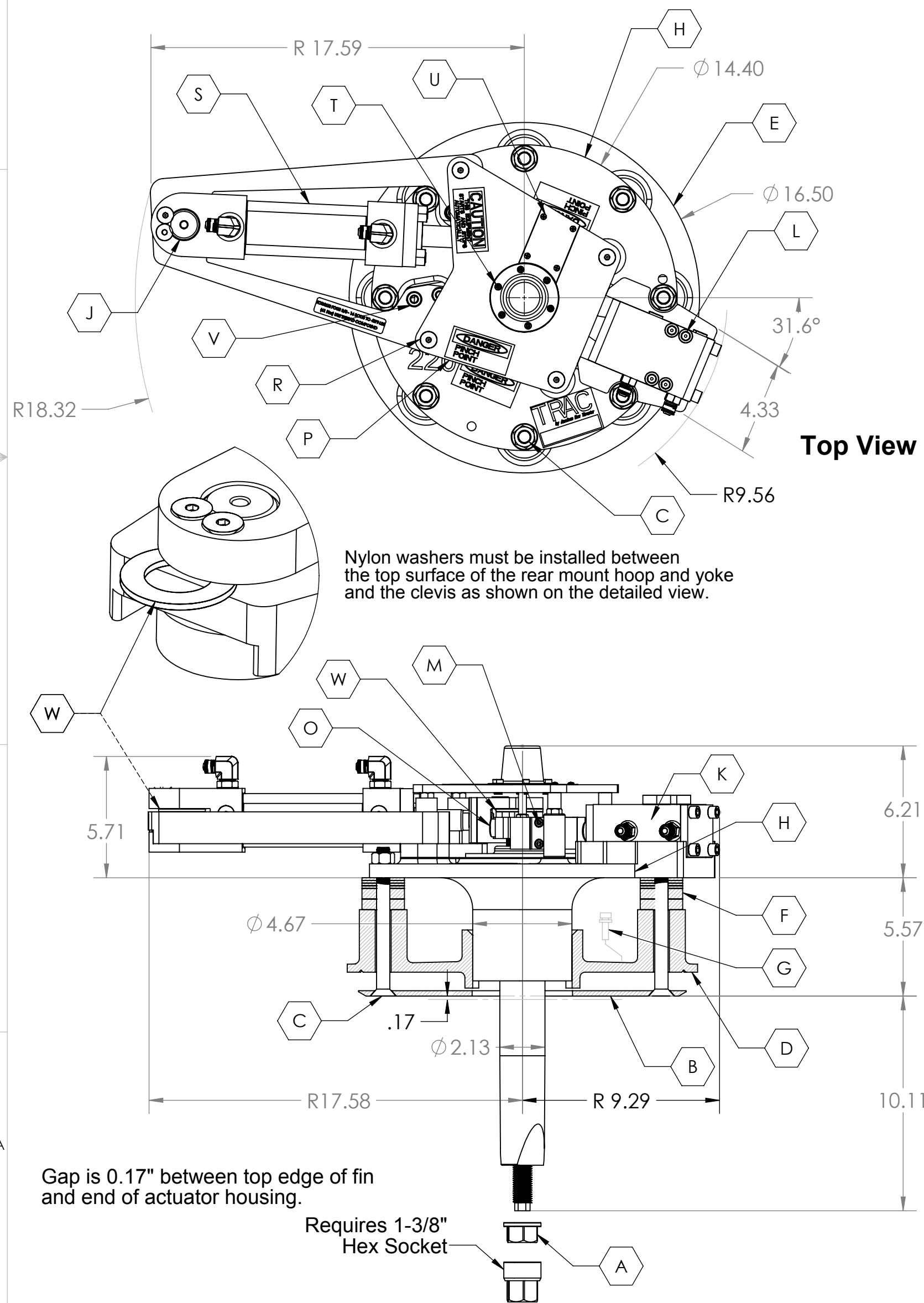
Part	Description	Qty	Size # or inch	Install Torque ft-lb / (Nm)	Install with Coating**
A	Fin Nut *	2	7/8 - 14 UNS	220 / (298)	Loctite 262
C	Hull Flange Bolt	8	5/8 - 11	100 / (136)	3M 5200
G	Flange Jacking Screw	3	3/8 - 16	-- / --	--
J	Clevis Pin	2	--	-- / --	N
L	Locking Cylinder Screw	4	3/8 - 16	30 / (41)	M
M	Yoke Stop Screw	4	1/4 - 20	8.5 / (11.5)	H
O	Yoke Clamping Screw	1	9/16 - 18	150 / (204)	H
R	Top Plate Screw	4	3/8 - 16	14 / (19)	M
T	Sensor Cover Screw	6	10 - 32NF	1.0 / (1.4)	--
U	Cable Cover Screw	4	6 - 32NF	0.4 / (0.5)	--
V	Cylinder Mount Screw	4	3/8 - 16	48 / (65.3)	H

* Nut requires 1.375" Hex Socket

** M = Medium strength thread lock compound; H = High Strength thread lock compound. Install torques shown here require coating on threads and also, as lubricant, under bolt head or nut, whichever is turned; N = Never-Seez anti seize compound or equivalent.

NOTES:

- It is the responsibility of the installer to determine what reinforcement measures should be taken to properly strengthen the hull for withstanding forces that may be encountered if the fin or the fin shaft strikes an immovable object while the vessel is under way. Recommendations made by American Bow Thruster are to be used as starting guidelines only. American Bow Thruster is NOT a naval architecture firm and is NOT qualified to advise on structural matters. American Bow Thruster strongly recommends that you seek the advice of a naval architect familiar with your make of vessel.
- The Hull Doubler Plate is a retainer surface for assembly fasteners and sealants. The Hull Doubler Plate should NOT be considered to provide structural hull reinforcement.
- Hull Flange bolts will through-bolt the Hull Doubler Plate, Inboard Flange & Actuator Flange.
- Inboard Hull Flange with eight integral riser columns and adjustable spacer stacks.
- The range of hull thickness that can be accommodated by standard actuator equipment is 0.75" minimum to 2.25" maximum. See the TRAC Stabilizer Installation Manual for additional details concerning this thickness range.
- Hull Flange Jacking Screws are used during installation and removed after final flange bedding.
- Actuator specifications and dimensions are subject to change without prior notice. Do not use this print for final installation without contacting the factory for certified dimensions.



ABT·TRAC

STABILIZERS · THRUSTERS · HYDRAULICS

517-A MARTIN AVENUE
ROHNERT PARK, CA 94928
(707).586.3155 Tel
(707).586.3159 Fax
<http://www.thrusters.com>

This drawing, design and all information contained herein is the exclusive property of Arcturus Marine. Reproduction in whole or in part without the consent of Arcturus Marine is expressly forbidden. All applicable copyright laws apply.

REVISED	BK	SPECIFICATION SHEET - ACTUATOR SIZE		
DRAWN	BK	220 RMB		
CHECKED	BK	Parts & Dimensions for Fiberglass Hull Installation		
ISSUED	11/6/2012	All Dimensions are inches unless noted		
SCALE:	N.T.S.	SHEET:	1 OF 1	REV: A