

Assembly Parts

A. Fin Nut *	L. Locking Cylinder Screw
B. Hull Doubler Plate (Note 2)	M. Yoke Stop Screw
C. Hull Flange Bolt (Note 3)	O. Yoke Clamping Screw
D. Augmented hull thickness (Note 1)	P. Top Plate
E. Inboard Hull Flange (Note 4)	R. Top Plate Screw
F. Hull Flange Spacer (Note 5)	S. Actuator Cylinder
G. Hull Flange Jacking Screw (Note 6)	T. Position Sensor Cover
H. Actuator Flange	U. Sensor Cable Cover
K. Yoke Locking Cylinder	

Assembly Fasteners

Part	Description	Qty	Size # or inch	Install Torque ft-lb / (Nm)	Install with Coating ***
A	Fin Nut *	1	7/8 -14 UNS	220 / (298)	Loctite® 262
C	Hull Flange Bolt	8	5/8 -11	100 / (136)	3M® 5200
G	Flange Jacking Screw	3	3/8 -16	-- / --	--
L	Locking Cylinder Screw	4	3/8 -16	30 / (41)	M
M	Yoke Stop Screw	4	1/4 -20	8.5 / (11.5)	H
O	Yoke Clamping Screw	2	3/8 -16	30 / (41)	H
R	Top Plate Screw ****	6	3/8 -16	14 / (19)	M
T	Sensor Cover Screw	6	10 -32NF	1.0 / (1.4)	--
U	Cable Cover Screw	6	6 -32NF	0.4 / (0.5)	--

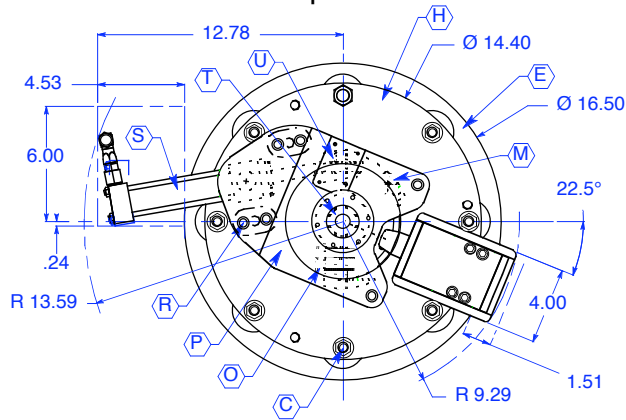
* Nut requires 1.375" Hex Socket.

*** M = Medium strength thread lock compound; H = High Strength thread lock compound.

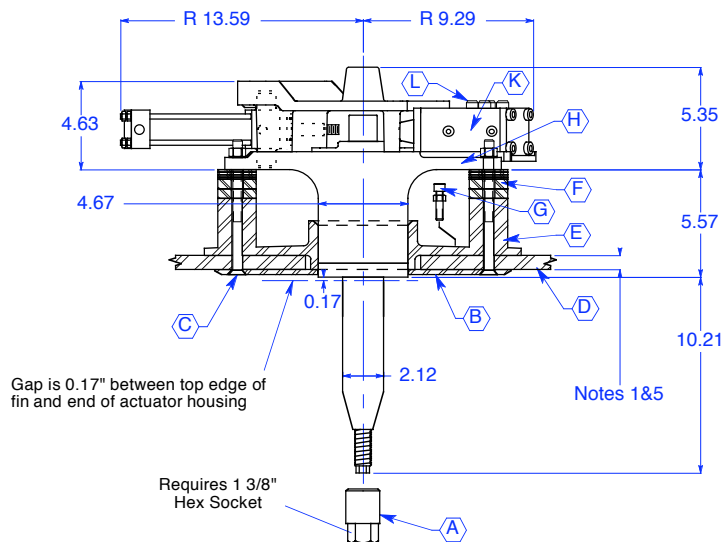
Install torques shown here require coating on threads and also, as lubricant, under bolt head or nut, whichever is turned.

**** One 0.5" dowel pin at each of two main top plate legs.

Top View



Side View



NOTES:

- It is the responsibility of the installer to determine what reinforcement measures should be taken to properly strengthen the hull for withstanding forces that may be encountered if the fin or the fin shaft strikes an immovable object while the vessel is under way. Recommendations made by American Bow Thruster are to be used as starting guidelines only. American Bow Thruster is NOT a naval architecture firm and is NOT qualified to advise on structural matters. American Bow Thruster strongly recommends that you seek the advice of a naval architect familiar with your make of vessel.
- The Hull Doubler Plate is a retainer surface for assembly fasteners and sealants. The Hull Doubler Plate should NOT be considered to provide structural hull reinforcement.
- Hull Flange bolts will through-bolt the Hull Doubler Plate, Inboard Hull Flange & Actuator Flange.
- Inboard Hull Flange with eight integral riser columns and adjustable spacer stacks.
- The range of hull thickness that can be accommodated by standard actuator equipment is 0.75" minimum to 2.25" maximum. See the TRAC Stabilizer Installation Manual for additional details concerning this thickness range.
- Hull Flange Jacking Screws are used during installation and removed after final flange bedding.
- Actuator specifications and dimensions are subject to change without prior notice. Do not use this print for final installation without contacting the factory for certified dimensions.



American Bow Thruster
A division of Arcturus Marine Systems

517-A MARTIN AVENUE
ROHNERT PARK, CA 94928
(707) 586-3155 VOICE
(707) 586-3159 FAX
<http://www.thrusters.com>

DRAWN RJP

CHECKED

ISSUED 4/7/2005

REVISED 4/4/2006

DRAWING AS220FHv5

TRAC Stabilizer Specification Sheet

TRAC® 220

Actuator Assembly Parts & Dimensions - Fiberglass Hull Installation

DIMENSIONS: ALL DIMENSIONS ARE INCHES UNLESS OTHERWISE NOTED.

SCALE: NOT TO SCALE